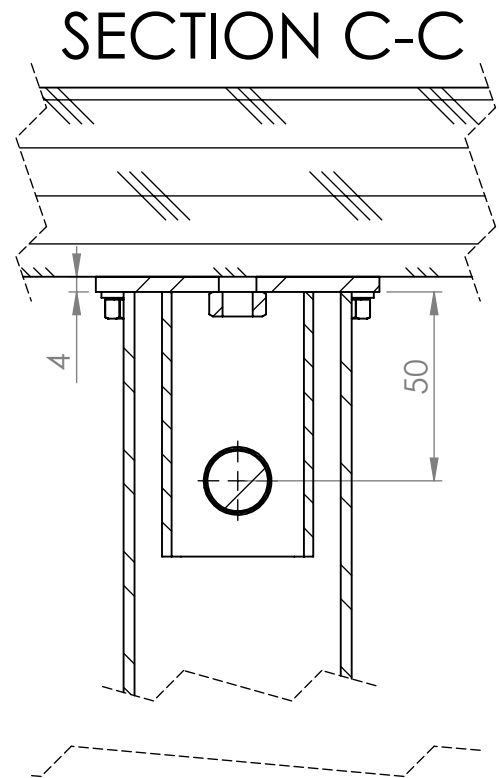
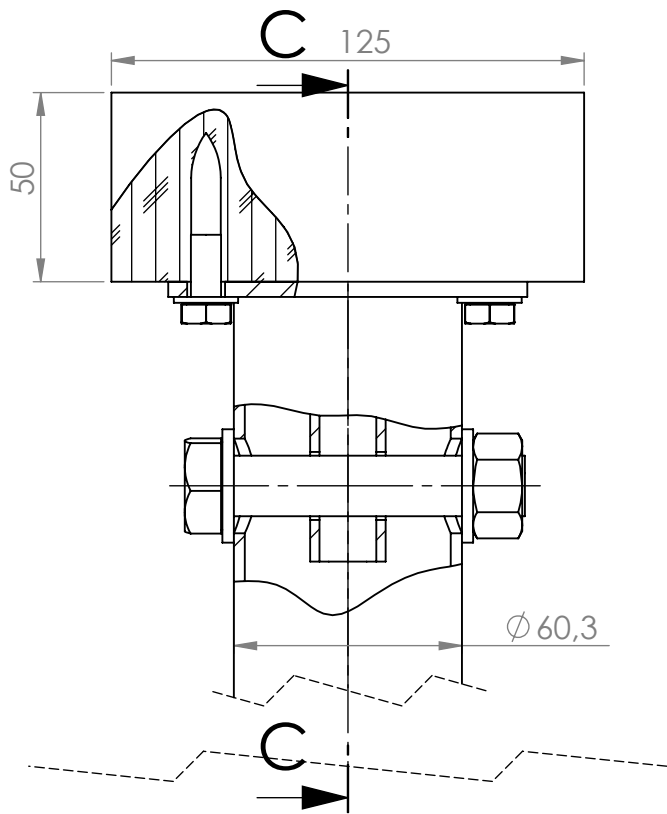
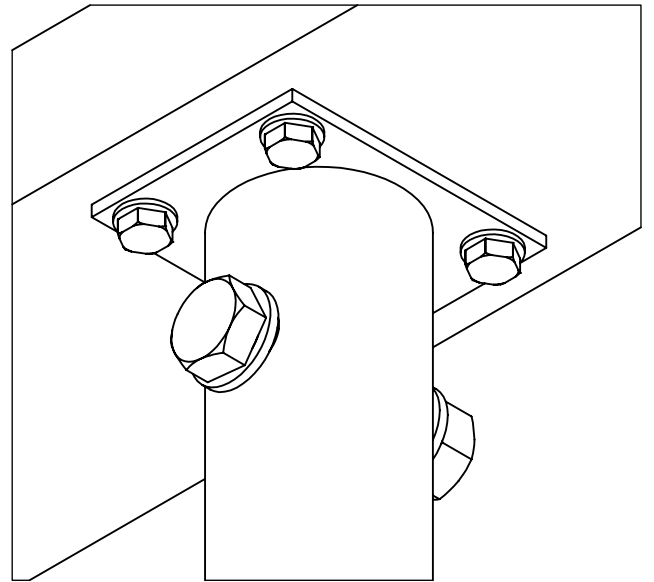
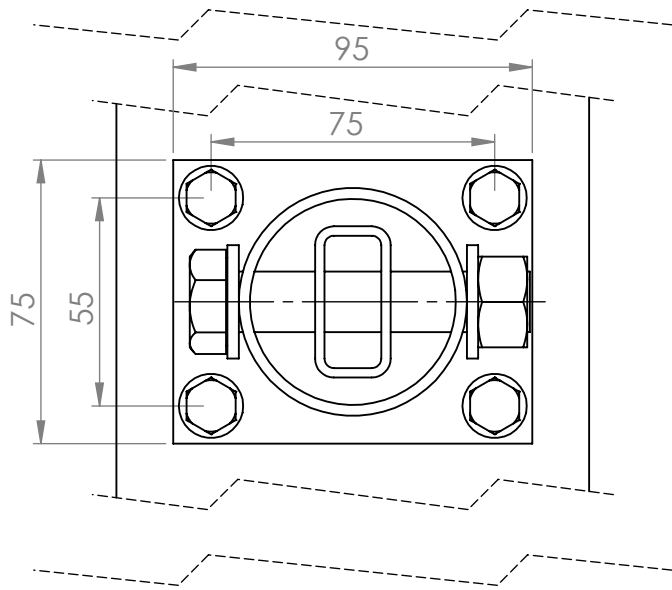


## SECTION D-D

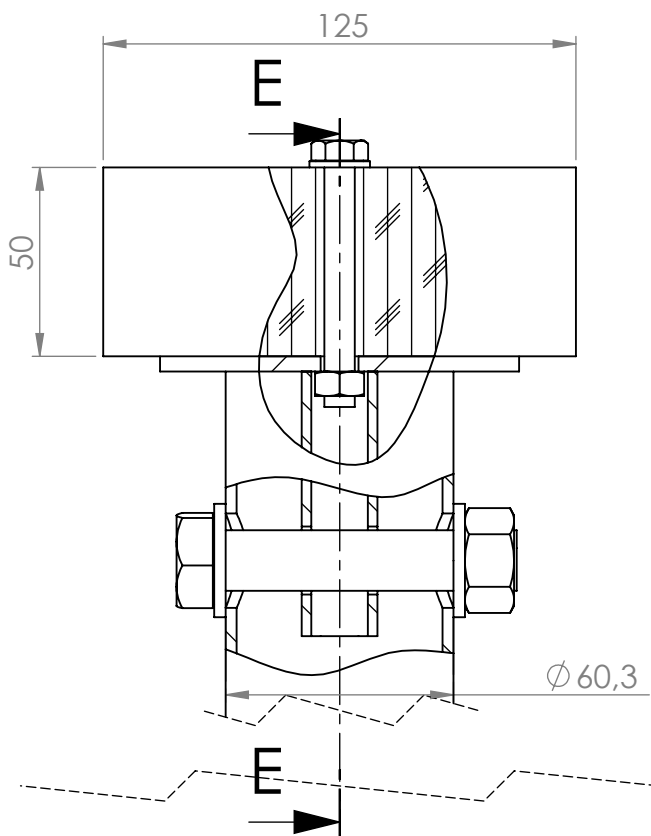
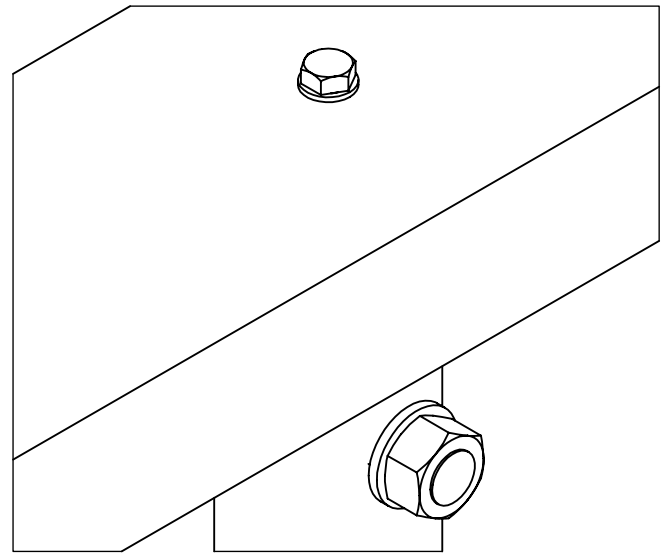
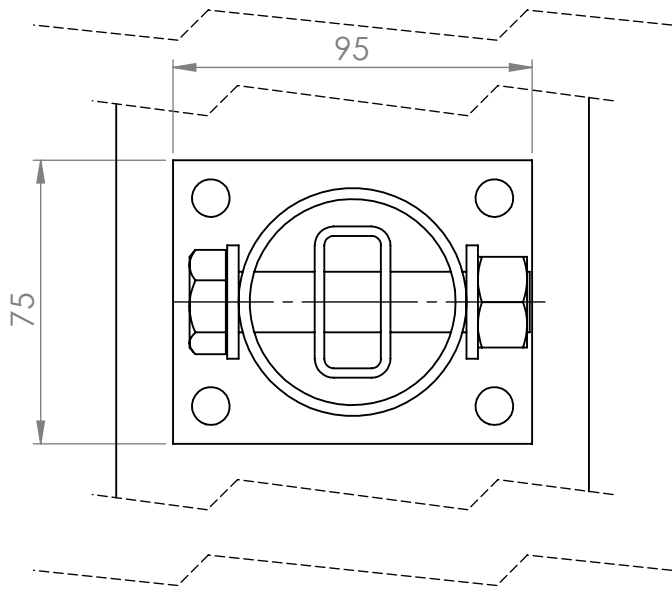
Scale <b>1:2</b>	Dwg type A4P	Total weight kg					
	Dwg size	Material weight kg	Rev.	Times	Change	Date	Name
Measures mm	Surface texture Ra ( $\mu\text{m}$ )	General tolerance	Drawn				
			Check.				
			Appr.				
Lattakiinnike vaakajuoksuille			Part		pcs	Job No.	Description
Belongs to					Lattakiinnike vaakajuoksuille		
Man. Code							
OEM Code							



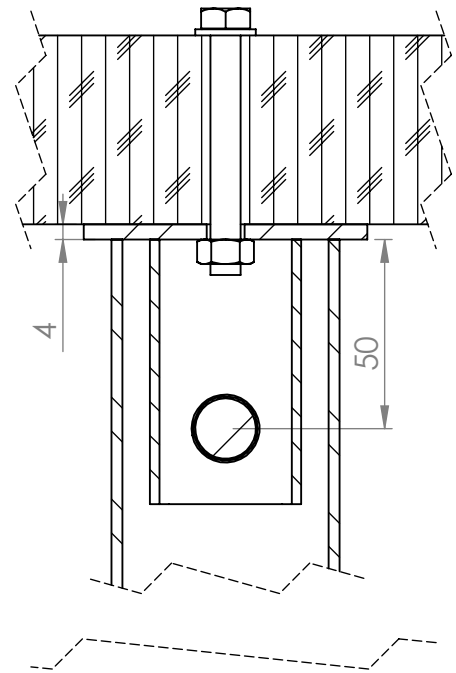
Dwg No.  
L1



Scale <b>1:2</b>	Dwg type <b>A4P</b>	Total weight kg					
	Dwg size	Material weight kg	Rev.	Times	Change	Date	Name
Measures mm	Surface texture Ra (um)	General tolerance	Drawn				Dwg No. <b>L1</b>
			Check.				
			Appr.				
Kiinnitys alta	Part	pcs	Job No.	Description <b>Lattakiinnike vaakajuoksuille</b>			
Belongs to							
Man. Code							
OEM Code							



### SECTION E-E



Scale <b>1:2</b>	Dwg type A4P	Dwg size	Total weight kg					
Measures mm	Surface texture Ra (um)	General tolerance	Material weight kg	Rev.	Times	Change	Date	Name
			Drawn					
			Check.					
			Appr.					
<b>Kiinnitys päältä</b> Belongs to Man. Code OEM Code			Part	pcs	Job No.	<b>Description</b> Lattakiinnike vaakajuoksuille		
						Dwg No. L1		