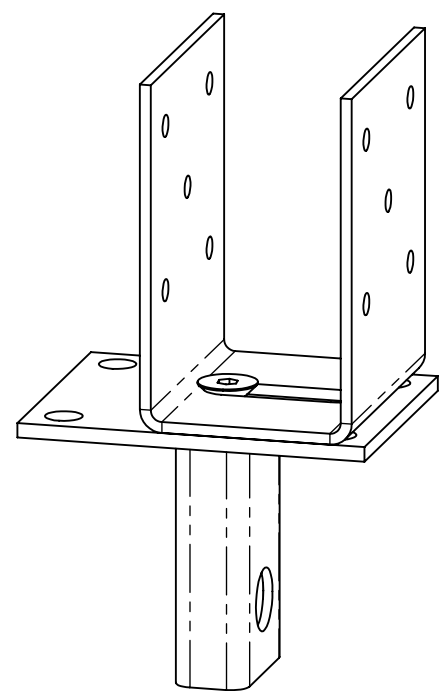
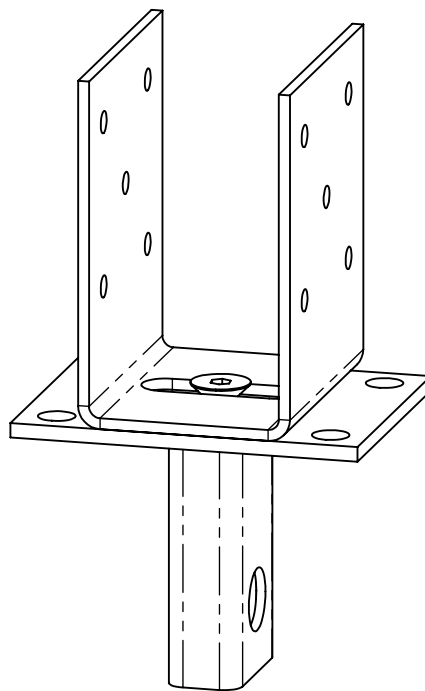
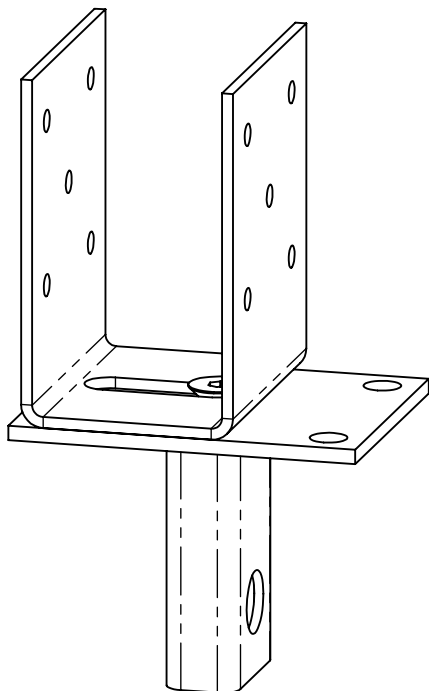

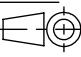
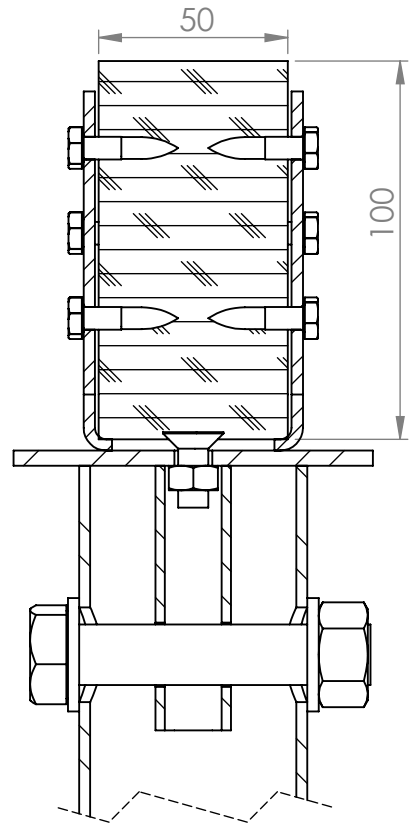
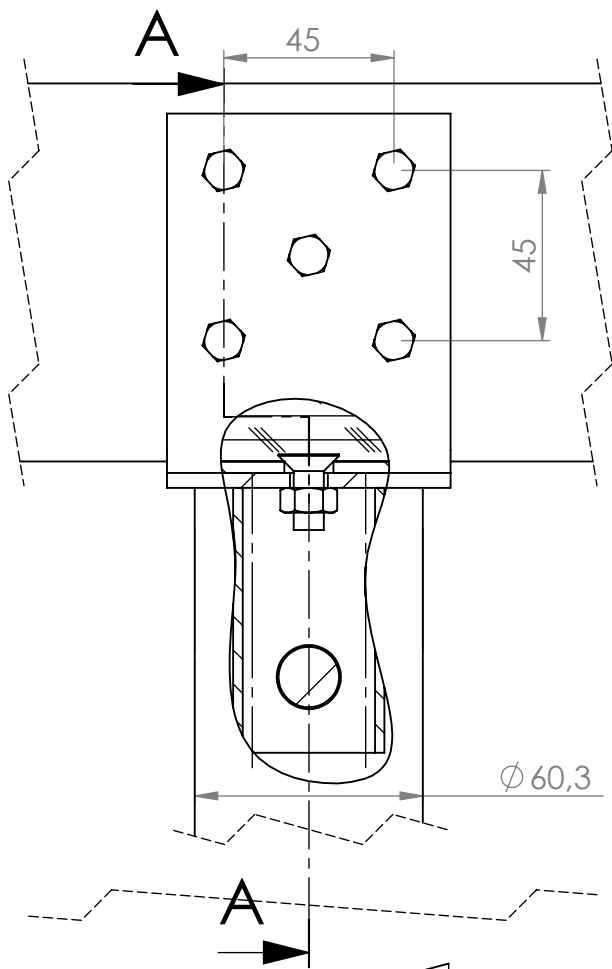


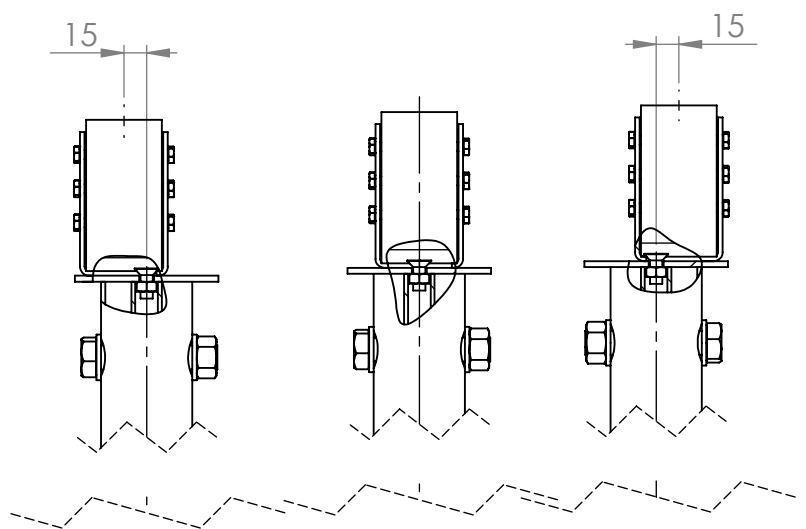
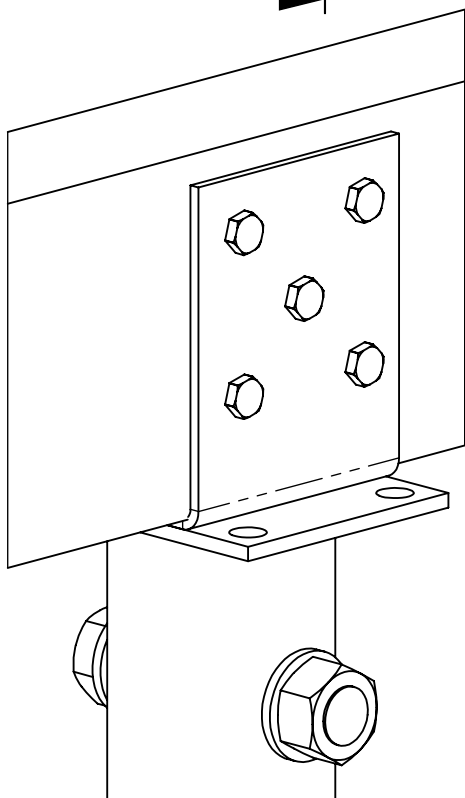
SECTION B-B
SCALE 1 : 2


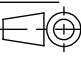
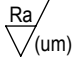


Scale	Dwg type	Total weight	kg						
1:2	Dwg size	Material weight	kg	Rev.	Times	Change	Date	Name	
	A4P								
Measures mm	Surface texture	General tolerance	Drawn					Dwg No. U50 H	
	Ra (um)		Check.						
			Appr.						
U-kenkä 2" vaakajuoksulle		Part	pcs	Job No.		Description			
U-kenkä 2" vaakajuoksulle									
Belongs to									
Man. Code									
OEM Code									



SECTION A-A
SCALE 1 : 2



Scale 1:2	Dwg type	Total weight kg							
	Dwg size A4P		Material weight kg	Rev.	Times	Change	Date	Name	
Measures mm	Surface texture Ra (um)	General tolerance	Drawn					Dwg No. U50 H	
			Check.						
			Appr.						
Kokoonpano	Part	pcs	Job No.	Description U-kenkä 2" vaakajuoksulle					
Belongs to									
Man. Code									
OEM Code									