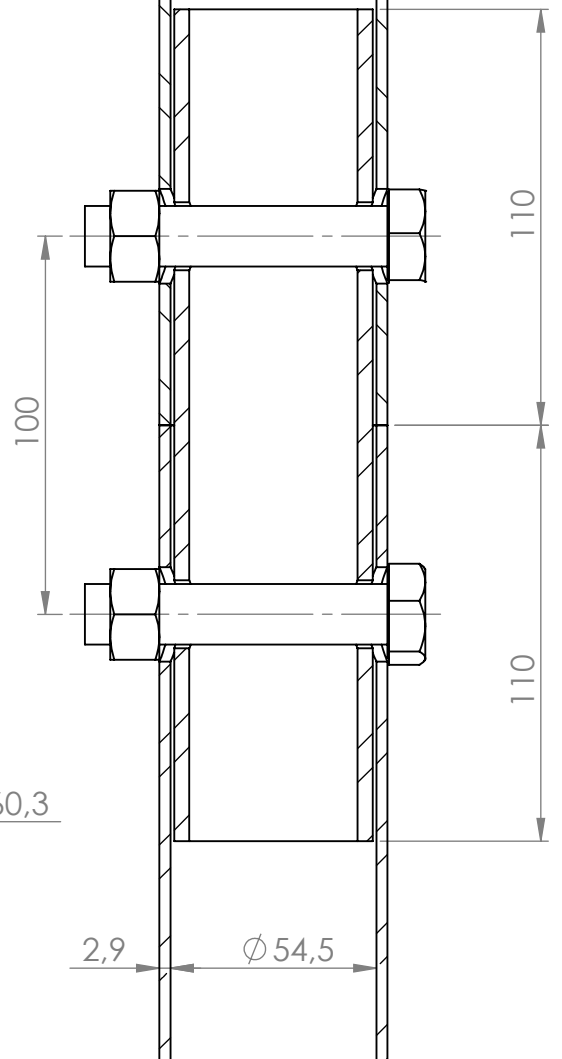
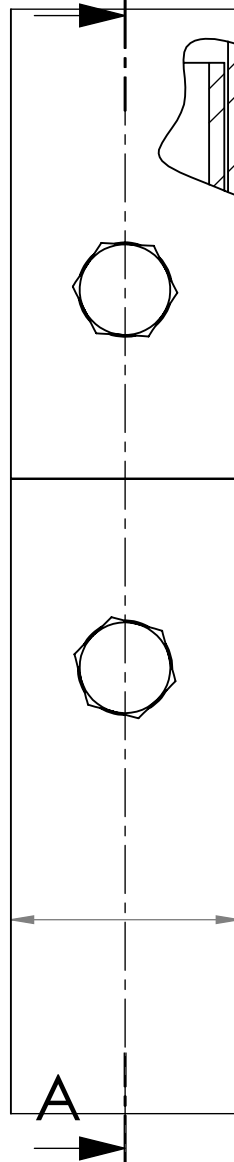
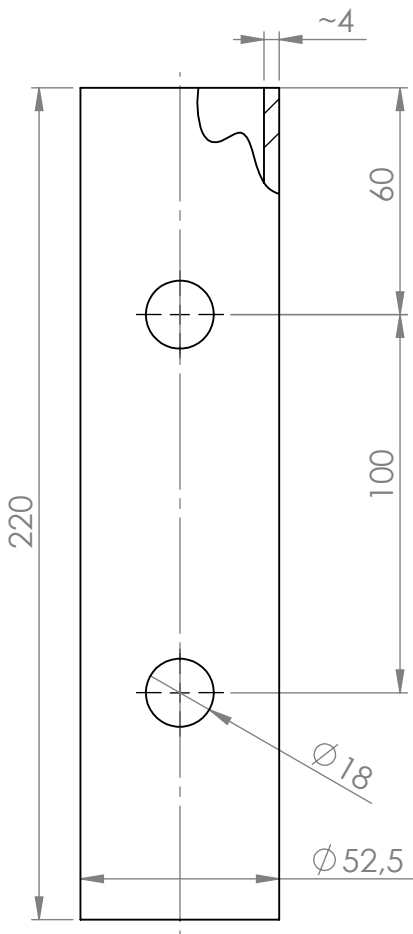


A

SECTION A-A  
SCALE 1 : 2



Scale <b>1:2</b>	Dwg type Dwg size <b>A4P</b>	Total weight kg					
Measures mm	Surface texture Ra (um)	General tolerance	Material weight kg	Rev.	Times	Change	Date Name
			Drawn				
			Check.				
			Appr.				
Valmistus1			Part	pcs	Job No.	Description Jatkoholkki 60,3x2,9mm putkien liittämiseen	
Belongs to						Dwg No. D/60.3_2.9	
Man. Code							
OEM Code							

