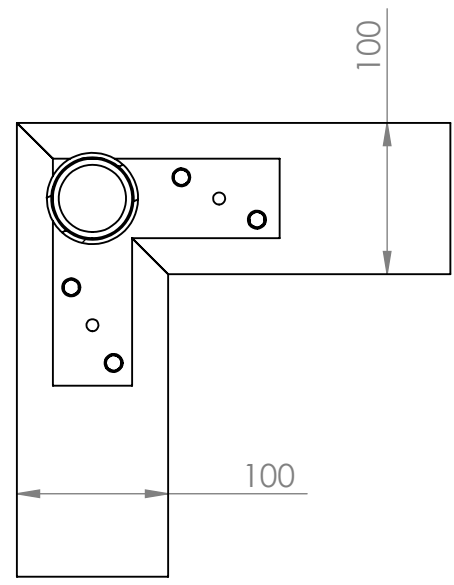
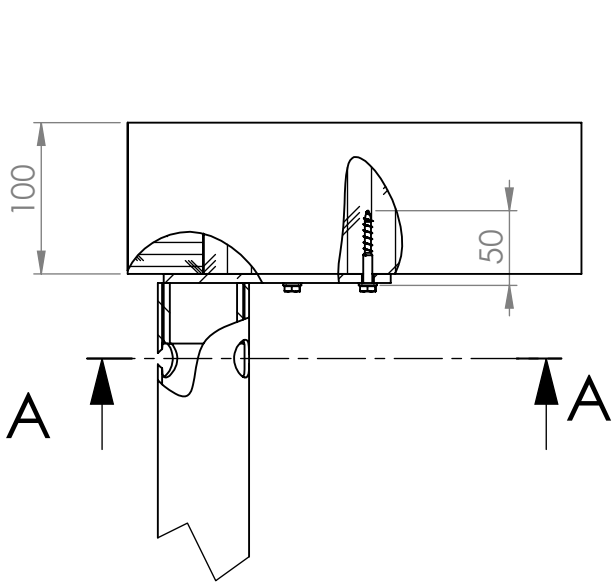
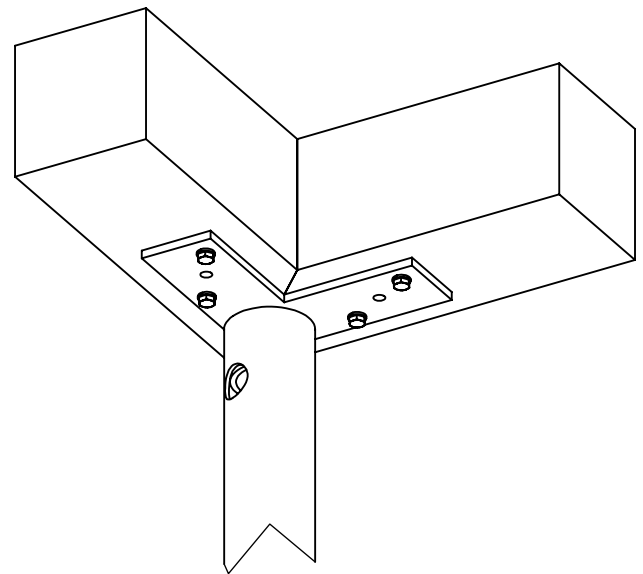
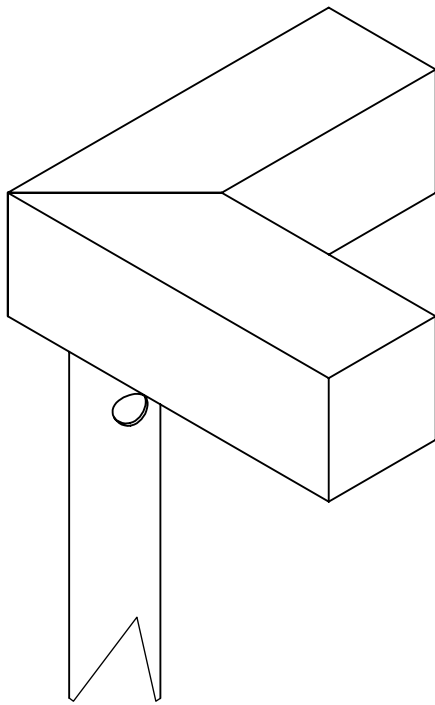


Scale 1:2	Dwg type A4P	Total weight kg						
Measures mm	Surface texture Ra (μm)	General tolerance	Material weight kg	Rev.	Times	Change	Date	Name
			Drawn					
			Check.					
			Appr.					
			PaaluPiste Oy			Dwg No. K1		
Belongs to	Part	pcs	Job No.	Description				
Man. Code				Kulmakiinnike vaakajuoksuille				
OEM Code								



SECTION A-A
SCALE 1 : 5



Scale 1:5	Dwg type	Total weight kg						
	Dwg size	Material weight kg	Rev.	Times	Change	Date	Name	
Measures mm	Surface texture Ra (um)	General tolerance	Drawn					
			Check.					
			Appr.					
Kokoonpano			Part	pcs	Job No.	Description		
Belongs to						Kulmakiinnike vaakajuoksuille		
Man. Code								
OEM Code								



Dwg No. K1